

CanWatt® 2.4

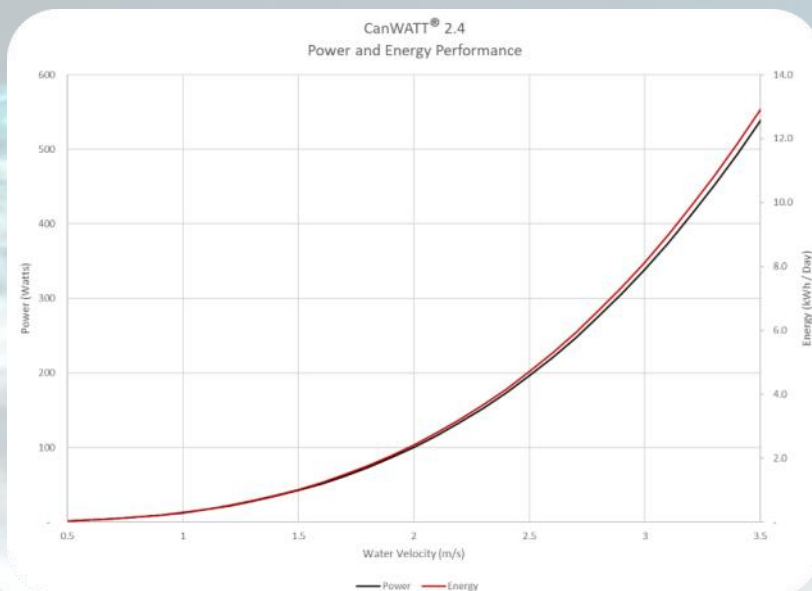
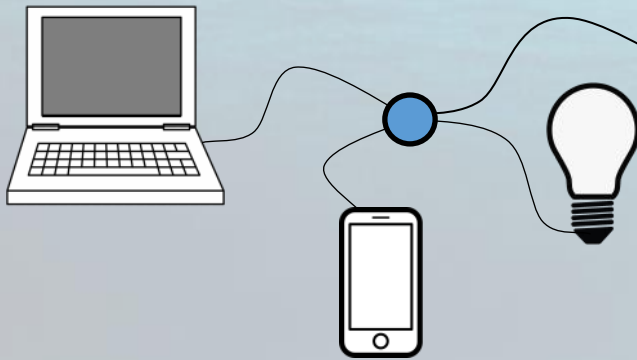
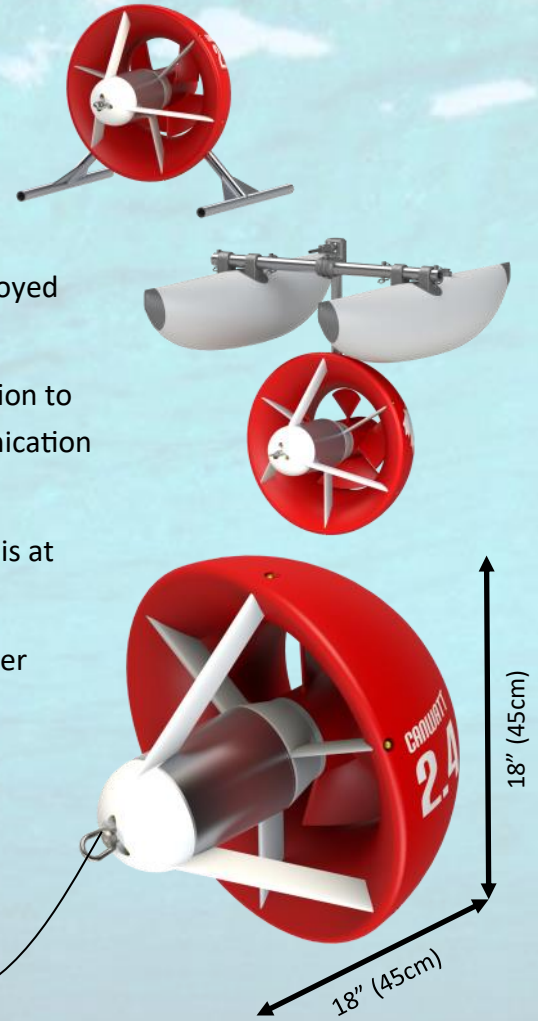
Versatile: Designed to operate at an average water speed of 2 m/s, while starting at 0.5 m/s and operating up to 3.4 m/s

Transportable: Weighing 25lbs (12kg) and having both a diameter and length of 18" (45cm), the CanWatt® 2.4 is easily carried and deployed by 1 person

Simple: Electricity is delivered to shore at 120V DC for direct connection to charger electronics (ex. phone chargers, computer chargers, communication power supplies)

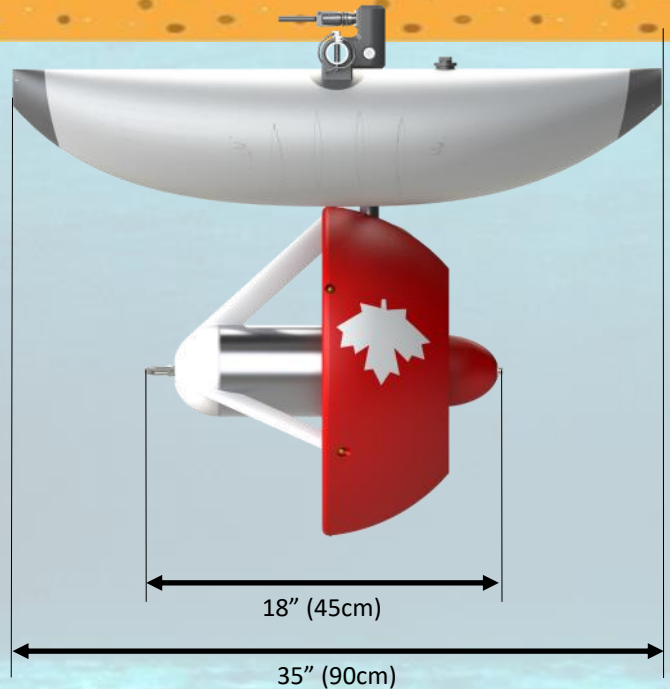
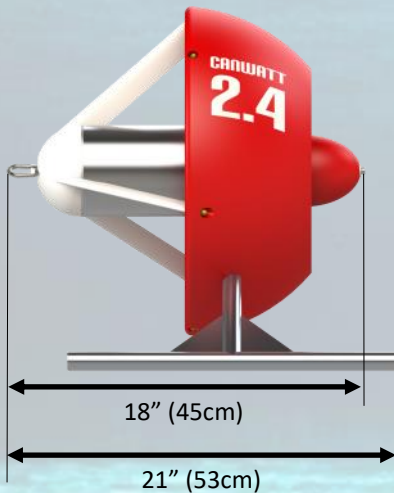
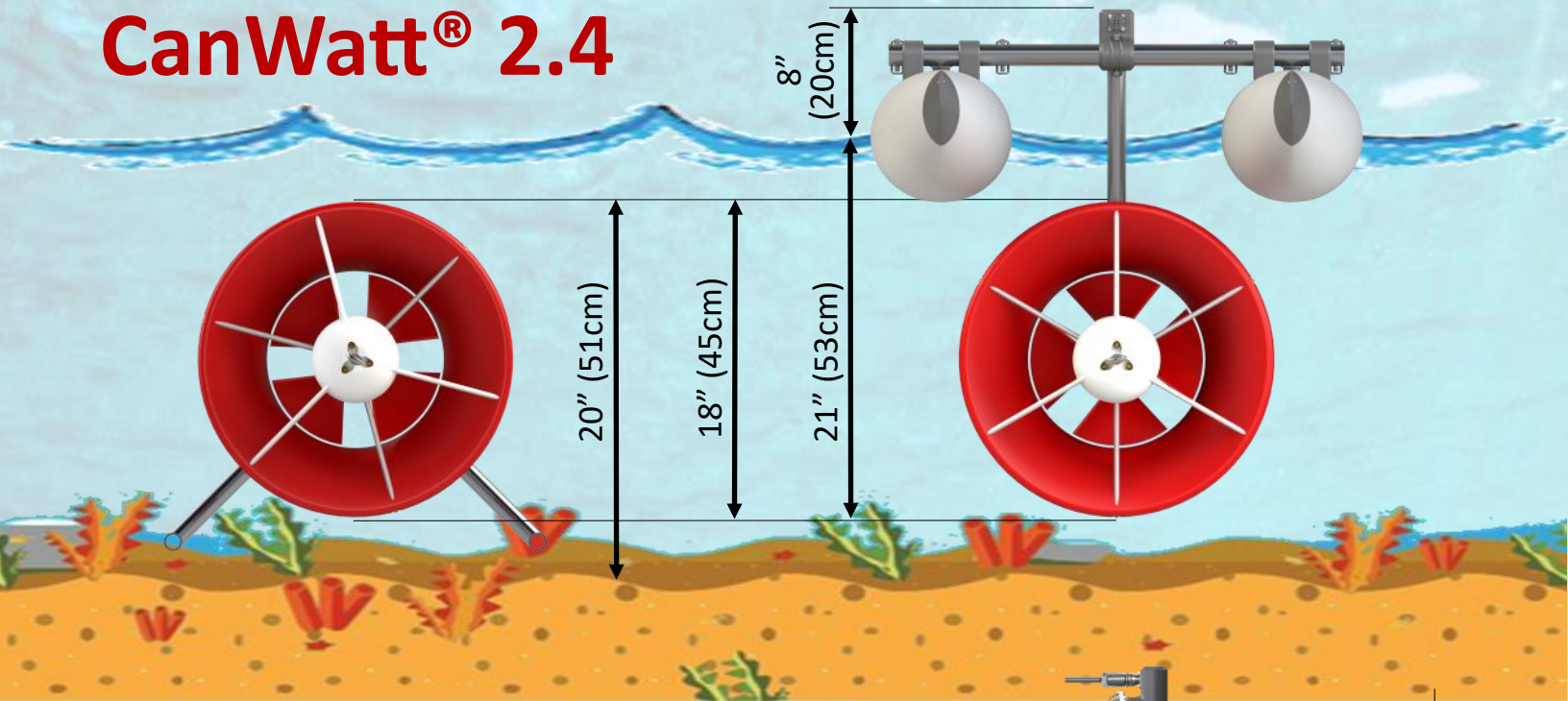
Power Density: At 2 m/s the CanWatt® 2.4 produces 8.3 W/kg which is at least 4x greater than the competition

Reliable: Patent pending generator with integrated voltage conditioner provide dependable underwater electricity generation



Characteristics	
Water Velocity (m/s)	0.5—3.4
Power Output	
Nominal (2 m/s, W)	100
Maximum (3.4 m/s, W)	500
Energy Production (per day)	
Nominal (2 m/s, kWh)	2.4
Maximum (3.4 m/s, kWh)	12
Speed (RPM)	50—600
Weight (lbs/kg)	25 / 12
Output Voltage (V DC)	120
Overload Protection	Yes
Required Anchor Load (lbf/N)	120 / 540

CanWatt® 2.4



Box Contents

Bottom Mount

CanWatt® 2.4 turbine
50ft (15m) electrical cable
2x legs

Surface Mount

CanWatt® 2.4 turbine
50ft (15m) electrical cable
2x pontoons and mounting system

Optional Accessories (all systems)

Custom length electrical cable
Screw anchor (silt/mud anchoring)
Anchor rope